

Est. 1938



G4HRS

**H
A
R
C
N
E
W
S**



The Journal of

Horsham Amateur Radio Club

February 2010

Sponsored by:

nevada[®]

Contents

In this issue

3. The white stuff
Best wishes
 4. Direction finding
 5. David Xray
 10. All the time in the world!
 11. Auction time
 12. Diary of events
- Members score

Cover photo: Snow across the South Downs

Editorial

We apologise for the last minute cancellation of the January club meeting due to adverse weather conditions. Thanks to Alister who contacted many members mostly by email and I emailed and telephoned everyone else who was expected to attend. In fact a handful of members I spoke to still had planned to travel to the meeting in the very snowy conditions.

Getting to Pulborough where I work has certainly been fun especially with the difficulty of parking and also getting in and out of my own road at home. At one end of the Broadbridge Heath bypass an Igloo and snowman were spotted along with another snowman waiting outside a fairly new Indian restaurant at the north end of Pulborough. I trust he has warmed up by now and enjoyed a nice curry!

It is regretted that an error occurred with the curry night date on page 5 of the January magazine and a couple of misprints in the diary. Those with available email addresses were notified the day that they were found. It appears that some readers received the January HARCNEWS around the middle of the month.

Unfortunately due to the backlog of post from Christmas and the bad weather it was severely delayed. If you are sending a document in word format please can you also send the photographs separately even if they are already embedded in the pages. If you have any special date announcements please send them well in advance of the deadline to guarantee inclusion.

David G4JHI

Congratulations!

Tony G3NPF celebrated 70 years old at the end of December.

Happy Birthday

FOXHUNT FOXHUNT

FOXHUNT

The next HARC Foxhunt will take place on the morning of Sunday February 28th, so please put this in your diary now as it would be good to see a full field of contestants.

The starting point will be Mannings Heath Common, NGR TQ 205 290. This old favourite is a good spot with plenty of open space.

Start time will be 10:00 AM local with transmissions every 10 minutes for a period of 2 minutes. The last transmission will be at 12:00 PM, so this should give everyone a fighting chance of finding me and hopefully getting to the watering hole before the lunchtime rush.

Transmissions will be on the "club channel" 144.725 MHz FM. The only map you will need is Ordnance Survey sheet 198, Brighton and the Downs. So, if you think to yourself on the day I have been here before on a Foxhunt, you probably have if you are a veteran hunter! As it's a 2 hour hunt, I promise not to be too close! Fill your tank and have fun. I will do my best to find a nice pub for lunch.

Please try and make it if you can.

As the Fox always says; this will be an easy one!

73 John G3WZT

Dish Mania

by

David G4JHI

For several years I had a 90cm satellite dish setup for the three main broadcast satellites but it was noticed in 2006 that reception especially from Sky deteriorated during rain and this followed by intermittent reception which also effected Hotbrid. Well as time went by it was working most of the time and one of those jobs that you put aside until a later date.

Last year I decided to do something about it and looked around for the best solution. Just change the aging LNB's (Low noise block) or perhaps find a new dish? After thought and discussion with a suitable supplier I decided to purchase a Wave Frontier having already bought new LNB's earlier.

This is something a bit different from the ordinary and is basically half a motorised system and looks a bit like a



(Left)

J u s t
o p e n e d ,
t h e
b o x
w i t h
t h e
W a v e
F r o n t i e r
t o r o i d a l
d i s h

rickshaw! There are two versions of this dish the 55cm and 90cm of which the latter I went for. Once it arrived I spent two evenings assembling before engaging professional help from an installer I had used before. This was the first time he had ever had any experience of one of these.

The main issues were, was it possible to install it in the same place as the old dish, and the fact that because of the construction and size it was difficult to handle, and then the rain decided to come down to make things even more difficult! The original position was a no go so it was decided to put it in the opposite corner which in fact was ideal as it would be discrete and no longer get in the way of a door.

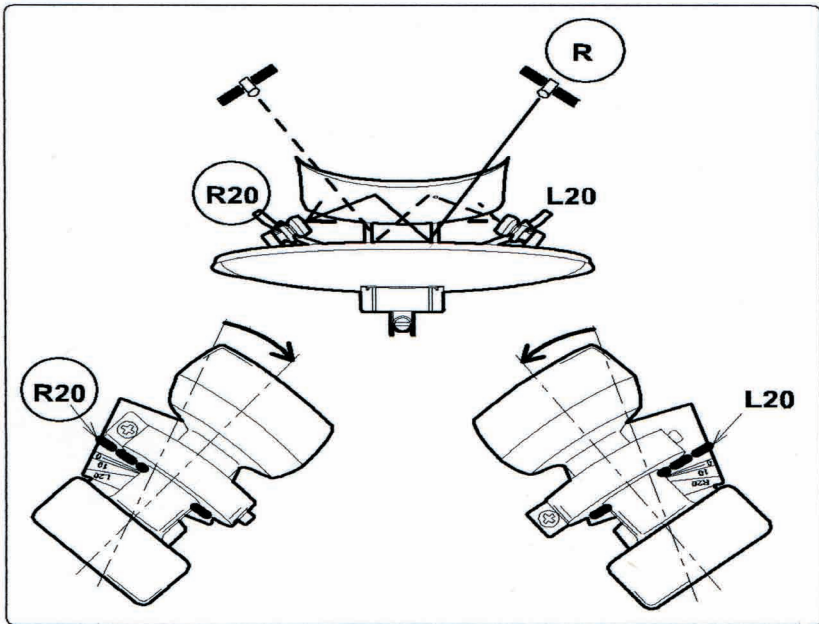
The dish came with full instructions and pictures and the installer set it up as best as possible to get reception of Sky TV. He then had to go to another job but ensuring he would be available a few days later should I need any further assistance. The most special thing about the dish is you can mount up to 16 LNB's on it so receive this number of satellites on one receiver!

The downside here is it will cost you not only for the many extra LNB's but for a special receiver and switch and I already owned the appropriate receivers for the number of satellites I wished to watch. I then mounted another five LNB's on the arm and set them up as described from a calculated sheet from the supplier having connected them to the 4 way Diseq switches.

With the aid of my satellite alignment meter and TV connected to a satellite receiver I eventually got all six birds aligned with fairly good results and then connected the system to the main coax cables to the set top boxes. However I did spend some extra time positioning the dish and LNB's for the maximum signal at a later date.

One of the advantages of the modern LNB's is that they have a recess that pulls down over the cables which is supposed

(Below) How the dish works - A given signal from a satellite is reflected by the main-reflector directly, then reflected again on the sub-reflector and onto the LNB.



to mean that waterproofing is not required. However I put self amalgamating tape on all connections which keeps them well sealed. I have three receivers in operation which works well with the configuration including one Sky box but it does mean that not all channels can be seen in the same room.

The line up is as follows: Hotbird (13°E), W2/Eurobird 16 (16°E), Astra1 (19.2°E), Astra1E/1G/3A (23.5°E), Astra 2/ Eurobird 1 (28.2°/28.5°E) and Turksat2A/3A (42°E). Because of the way the dish works the effective signal is equivalent to a 90cm dish across all these satellites whereas the old dish was less efficient for offset LNB's. The maximum span is 40° which is enough for most viewers.

Where my dish is installed it cannot see anything to the west due to buildings in the way. Now you may be wondering what can be seen on this multi satellite system. Other than



(Left)

F u l l y
a s s e m b l e d
d i s h
w i t h
a l l
L N B ' s
f i t t e d

channels from Sky there are many free to air digital TV and radio programmes from all over Europe, the Middle East and beyond in some cases including Bulgaria, France, Germany, The Netherlands, Poland, Portugal, Romania, Russia, Spain and Turkey.

The only disappointing bird is W2 as even with this setup some of the channels use low symbol rates (equivalent to a baud rate) and are quite weak and disappear during rain! Turksat also has many channels with low symbol rates but is received fairly well. All the other satellites are not bad at all. Since several Harcnews readers are known to have satellite systems for foreign services here is a roundup of channels of particular interest that I have found.

(42E) TNT – lots of English films/programmes, make sure to select English soundtrack, MTV Turkey – music. (23E) Ócko – music + occasional interviews in English, a variety of Dutch regional channels.

(19E) ARTE Français – some films with English soundtrack (select German soundtrack on VM listed films), MTV/Viva Germany/Imusic1 – music and some programmes in English, CNBC (pay channel on Sky!), TV Polonia – soap operas with English subtitles.

(16E) TVR Cultural – some English soundtrack films, Euforia Lifestyle TV – some English soundtrack US material.

(13E) Dubai/Jordan/Oman/Qatar TV – some English soundtrack films, BBC World News/DW-TV/VOA – news and documentaries in English, TV Slovenija1/2 – Some films with English soundtrack (note they go scrambled for some programmes).

One thing, don't forget that many TV schedules are available online and many channels still use analogue text. The listings usually start on page 300 although TV Slovenija doesn't but does have English pages for this on 296/297. One thing to note is that the current system using DVB Mpeg2 is slowly being replaced with the more efficient DVB-S2 Mpeg4 and requires yet another set top box!

HD (High Definition) channels are appearing too but unfortunately most of them are on pay TV platforms. The good news is that German channels Das Erste, ZDF and ARTE Deutsch on Astra1 broadcast in HD and are free but may require a certain compatible receiver so do some research before purchase.

You can also watch BBC, ITV and Luxe TV in HD on Astra2 without a subscription. You may be thinking that the TV set is never switched off, but I probably don't actually watch any more TV today than when there were only three channels!

Web Trawl

All you wanted to know about the time in other parts of the world is yours at Worldtimeserver. On the home page click on the link 'current times' and on the right you can select the country of choice and display the current time. There are time calculators, clocks to put on your own web site, daylight saving time information and you can customize the displayed information to your own preference.

There is a weather section which gives a 2 day forecast of the local conditions in the country capital or states. A local news service for each country or state is available too.

The site can be found at:

www.worldtimeserver.com

HARC Subscriptions

A reminder that subscriptions are now due for this years club membership.

Please forward £15 to the Treasurer which can be paid by cash or a cheque payable to H.A.R.C. Alternatively payment direct to Paul Barnett, 8 Parsonage Road, Horsham, RH12 4AR.

Copy deadline for March edition 20th February

For items sent by email please send to this address:

harc.news@g4jhi.co.uk

HORSHAM AMATEUR RADIO CLUB

PRESENTS

The Spring Junk Sale

4th March
@ The Guide Hall
Denne Road
Horsham

Time 20:00 Hrs

Free entry

Viewing from 19:30 Hrs

Bids in multiples of 10p

Bonus boxes

Raffle

Refreshments

Non Members welcome

Diary

Feb 1st, 80m SSB Club Championship 20:00 - 21:30

Feb 4th, Club Night: The History of Mr. Polley Part 4
- Ron G3PYC

Feb 10th, 80m Data Club Championship 20:00 - 21:30

Feb 11th, Committee Meeting - QTH G3ZBU

Feb 18th, 80m CW Club Championship 20:00 - 21:30

Feb 20th-21st, World Thinking Day on the Air - 2010
(100 Years of Guiding)

Feb 25th, Social Evening - The Lintot - Southwater

Feb 28th, Sunday Morning 2m Fox Hunt - G3WZT

Mar 1st, 80m Data Club Championship

Mar 4th, Club Night: Junk Sale

All above times are UTC

Committee/Club Meetings and Socials start at 8pm

Club Champs 2010 - Horsham Club Scores

Issue: 26th Jan 2010 Rev A

PARTICIPANTS ?	JANUARY			FEBRUARY			MARCH			APRIL			MAY			JUNE			JULY			TOTAL POINTS	%	MODE TOTALS			
	SSB	Data	CW	SSB	Data	CW	SSB	Data	CW	SSB	Data	CW	SSB	Data	CW	SSB	Data	CW	SSB	DATA	CW						
G3LET Pete																						0	0.0	0	0	0	
G3NPF Tony	884																					884	13.4	884	0	0	
G3OGP Robin			422																			422	6.4	0	0	422	
G3PYC Ron	178																					178	2.7	178	0	0	
G3SWC Bryn	578		428																			1006	15.3	578	0	428	
G3VQO Les			302																			302	4.6	0	0	302	
G3WZT John																						0	0.0	0	0	0	
G3ZBU Alister	567		339																			906	13.8	567	0	339	
G4EFO Mick																						0	0.0	0	0	0	
G4LRP Adrian	533																					533	8.1	533	0	0	
G4TPO Steve	606																					606	9.2	606	0	0	
G8CKT Mike	112																					112	1.7	112	0	0	
G8HQJ Barry	600																					600	9.1	600	0	0	
M0FRH Ian																						0	0.0	0	0	0	
M0GJH Andrew	445		353																			798	12.1	445	0	353	
M0YMK Ian	228																					228	3.5	228	0	0	
2E0BTO Alan																						0	0.0	0	0	0	
Mode totals	4731	0	1844	0	0	0	0	0	0	0	0	0	0	0	0	0	0	0	0	0	0	6575		4731	0	1844	
Month totals to date	6575			0			0			0			0			0			0								

Contest dates/times 13th 21st 4th 1st 10th 18th 18th 1st 10th 14th 22nd 5th 3rd 12th 20th 24th 7th 16th 14th 22nd 5th Start times are all 2000 clock time, ending 2130 local

HARC overall position after above results announced 7/64 11/50 Up one position ?
See next month ?

All entries to be uploaded with the Contest Robot at:- <http://www.rsgbcc.org/cgi-bin/hfenter.pl> Latest robot entries may be viewed at:- <http://www.rsgbcc.org/cgi-bin/hfposted.pl>
Contest rules:- <http://www.rsgbcc.org/hf/rules/2010/r80mcc.shtml>

WELL, WE ARE OFF TO A GOOD START IN THIS NEW SERIES OF EVENING FUN SHORT DURATION CONTESTS!!

SSB VERY GOOD BUT CW COULD WELL BENEFIT FROM SOME MORE PARTICIPANTS! COME ON CW OPS - PLEASE SPEND A FEW MINUTES AND HAVE A GO. OUR CW IS WELL DOWN ON THIS TIME LAST YEAR.

JAN SSB HAD 3 MORE OPS THAN LAST YEAR, THAT IS JUST WHAT IS NEEDED BUT A FEW MORE WOULD HELP US TO CLIMB A LITTLE HIGHER. NOW IS THE TIME TO DO IT AS WE WILL HAVE A JOB ON OUR HANDS TRYING TO GAIN POSITION AS THE MONTHS PROGRESS. TONY/NPF IS THE HIGH SCORER OF THE MONTH - WELL DONE!

ALTHOUGH JAN DATA IS OVER AND THE RESULTS AWAITED, THE CONTEST WAS A REAL STRUGGLE WITH SEVERAL OF US HAVING UNACCOUNTABLE TROUBLE TRYING TO RESOLVE PSK TRANSMISSIONS.

SOME HARD EFFORT NOW WOULD SEE US JUMP UP TO 6TH PLACE AHEAD OF NORFOLK ARC - CAN WE DO IT - YES - BUT WITH YOUR SUPPORT!

THE TOP TWELVE CLUBS - out of approx 64 participating
(data courtesy of RSGB website)

Pos	Club Name	Total	CW	SSB	DATA
1	Bristol CG	15114	6083	9031	
2	Newbury & DARS	12843	5290	7553	
3	Three 'A's CG	10503	5782	4721	
4	De Montford Univ	9308	4355	4953	
5	Grimsby ARS	7189	5378	1811	
6	Norfolk ARC	6900	3246	3654	
7	Horsham	6575	1844	4731	
8	Reading & District	4861	2880	1981	
9	Brimham CG	3990	2270	1720	
10	Tall Trees CG	3888	2002	1886	
11	RAF Waddington	3813	1772	2041	
12	Bittern DX Group	3197	723	2474	